

**FRIGAIR**  
FRIGAIR SDN BHD

# FHDE Series

We Trust On Quality More Than Quantity



# FRIGAIR

# FRIGAIR UNIT COOLER - FHDE SERIES

**FHD** Medium Temp. Evaporators Rated as @ -4°C. Et. Td.6°C **Air Defrost** 4 FPI

MODEL	CAPACITY 6K TD		FAN DATA				415V MOTOR
	WATTS	BTU'S/HR	QUANTITY	SIZE	FLOW L/S	AIR THROW	WATTS
050	8,100	27,620	1	20"/500mm	2,030	18M/59'	1X800
070	12,100	41,260	1	20"/500mm	1,990	18M/59'	1X800
100	16,100	54,900	2	20"/500mm	4,100	20M/66'	2X800
130	20,660	70,450	2	20"/500mm	4,060	20M/66'	2X800
150	23,700	80,820	2	20"/500mm	3,980	20M/66'	2X800
180	29,000	98,890	3	20"/500mm	6,030	22M/72'	3X800
220	34,120	116,350	3	20"/500mm	5,970	22M/72'	3X800
250	38,700	132,000	4	20"/500mm	8,040	23M/75'	4X800
280	43,600	148,700	4	20"/500mm	7,980	23M/75'	4X800

**FHDE** Low Temp. Evaporators Rated as @ -24°C. Et. Td.6°C **Electric Defrost** 4 FPI

MODEL	CAPACITY 6K TD		FAN DATA				DEFROST
	WATTS	BTU'S/HR	QUANTITY	SIZE	FLOW L/S	AIR THROW	HEATER W
050	5,300	18,000	1	20"/500mm	2,030	18M/59'	2X1600
070	7,900	26,950	1	20"/500mm	1,990	18M/59'	4X1500
100	10,500	35,800	2	20"/500mm	4,060	20M/66'	4X1500
130	13,500	46,600	2	20"/500mm	4,020	20M/66'	4X2300
150	15,500	52,900	2	20"/500mm	3,980	20M/66'	4X2300
180	19,000	64,828	3	20"/500mm	6,030	22M/72'	4X2800
220	22,500	76,000	3	20"/500mm	5,970	22M/72'	4X3600
250	25,500	86,960	4	20"/500mm	8,040	23M/75'	4X4500
280	28,500	97,200	4	20"/500mm	7,980	23M/75'	8X2200

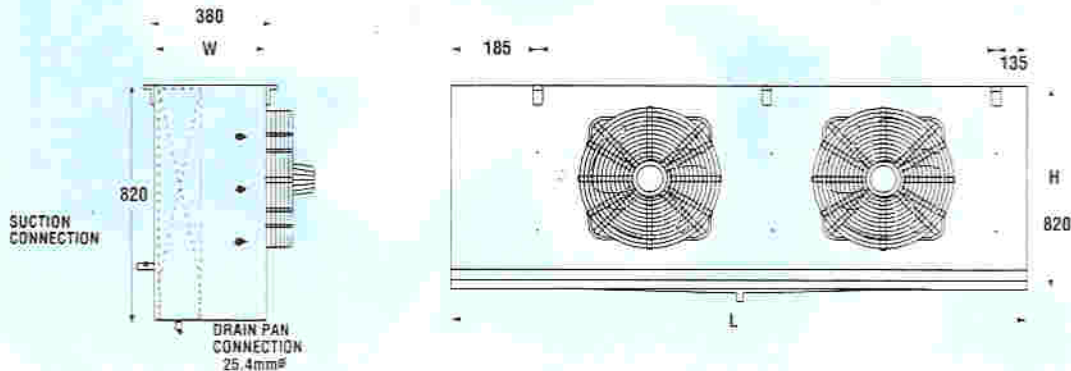
## Capacity Correction Factors

SUCTION TEMP. °C	-40	-35	-30	-25	-24	-20	-15	-10	-5	-4
CAPACITY MULTIPLIER	0.72	0.83	0.90	0.96	1.0	1.07	1.20	1.33	1.50	1.53

OTHER FIN SERIES	3	4	5	6
CAPACITY MULTIPLIER	0.78	1.0	1.10	1.20

For the purpose of correct circuiting and distributor selection, please advise Refrigerant, SST, KTD and fin series when different from standard.

REFRIGERANT	R22	R134a	R507
CAPACITY MULTIPLIER	1.0	0.95	0.97



## Dimensions

MODEL		H (mm)	W (mm)	L (mm)	Coil Inlet Pipe (mm)	Suction Pipe (mm)	WET GMT (KG)
FHD	FHDE						
050	050	820	380	1320	12.7	28.6	80
070	070	820	380	1320	12.7	28.6	90
100	100	820	380	2286	15.8	34.9	140
130	130	820	380	2286	15.8	34.9	160
150	150	820	380	2286	15.8	41.3	170
180	180	820	380	2794	15.8	41.3	215
220	220	820	380	3404	19.1	41.3	245
250	250	820	380	3404	22.2	50.8	285
280	280	947	380	3404	22.2	50.8	305

All Fan Motors comply to IP66 Code. Water Proof and Dust Proof. 2 Speed Motors are available upon request. Motor Amps 1.2A.

Malaysia Office:

### FRIGAIR SENDIRIAN BERHAD

No. 12, Jalan Dowani, Off Jalan Tempoi, 81100 Johor Bahru, Johor, Malaysia.  
Tel: 807-3320830, 807-3335915 Fax: 807-3326682  
Email: frigair@hotmail.com/frigair@tm.net.my

### CENTURY EQUIPMENT SENDIRIAN BERHAD

No. 6, Jalan 20/16A, Paramount Garden, 46300 Petaling Jaya, Malaysia.  
Tel: 603-78747010, 603-78768118 Fax: 603-78752232  
Email: century6@tm.net.my/centuryeg@hotmail.com

Singapore Office:

### CENTRAL REFRIGERATION & AIRCOND PTE. LTD.

136, Pangoon Road, Singapore 218414  
Tel: 65-2920011(6 Lines) Fax: 65-2951733 Email: centralrln@pacific.com.sg